

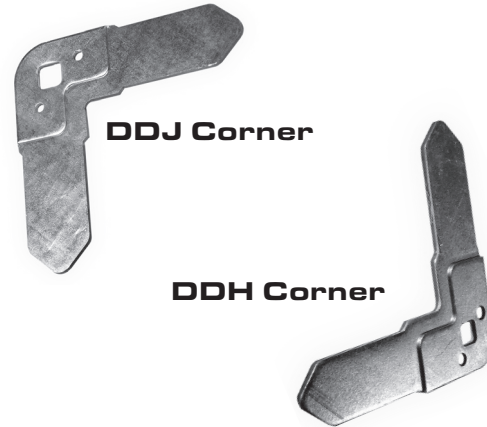
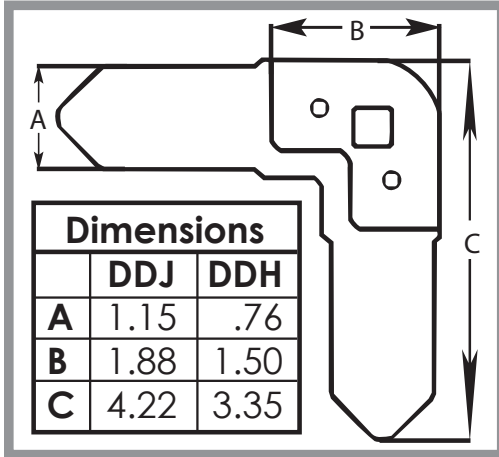
SUBMITTAL RECORD _____
 JOB _____
 LOCATION _____
 SUBMITTED TO _____
 SUBMITTAL PREPARED BY _____
 APPROVED BY _____
 DATE _____



Submittal Form DDJ/DDH Corners

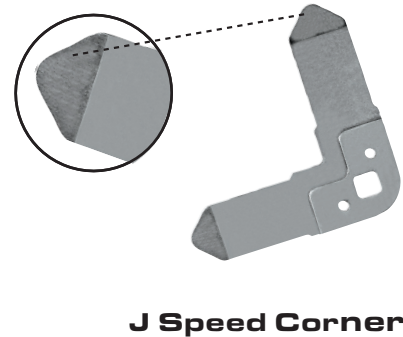
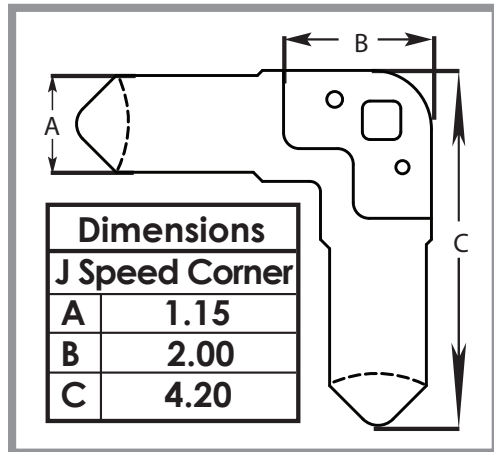
J and H Corners

- DDJ corners are manufactured from 12-gauge steel. For use with DOMJ Flange.
- DDH corners are manufactured from 12-gauge steel. For use with DOMH Flange.
- Nuts and Bolts are *also* sold separately.



Speed Corner

- Tapered coined corner tips for fast/easy hand insertion in to the Flange eliminating the need for a tinner's hammer.
- Speed Corners are formed from galvanized G 60 or better 12ga USA made steel. For use with standard J Flange.
- Nuts and Bolts are *also* sold separately.



Item #	Code	Description
21240	DDJ	Corner for DOMJ Flange
21241	DDH	Corner for DOMH Flange
21242	DDJNB	J Corner with 3/8 in. Nut & Bolt
21249	DDHNB	H Corner with 1/4 in. Nut & Bolt
21094	DDJS	J Speed Corner
21095	DDJSNB	J Speed Corner with 3/8" Nuts & Bolts

*For Stainless Steel & Aluminum corners, see Quad Corner Submittal

